



QUICK START GUIDE

Apollo4 Blue EVB (EVB Revision 3)

Ultra-low Power Apollo SoC Family

Doc. ID: QS-A4B-5p1

Document Revision 5.1, March 2023



Legal Information and Disclaimers

AMBIQ MICRO INTENDS FOR THE CONTENT CONTAINED IN THE DOCUMENT TO BE ACCURATE AND RELIABLE. THIS CONTENT MAY, HOWEVER, CONTAIN TECHNICAL INACCURACIES, TYPOGRAPHICAL ERRORS OR OTHER MISTAKES. AMBIQ MICRO MAY MAKE CORRECTIONS OR OTHER CHANGES TO THIS CONTENT AT ANY TIME. AMBIQ MICRO AND ITS SUPPLIERS RESERVE THE RIGHT TO MAKE CORRECTIONS, MODIFICATIONS, ENHANCEMENTS, IMPROVEMENTS AND OTHER CHANGES TO ITS PRODUCTS, PROGRAMS AND SERVICES AT ANY TIME OR TO DISCONTINUE ANY PRODUCTS, PROGRAMS, OR SERVICES WITHOUT NOTICE.

THE CONTENT IN THIS DOCUMENT IS PROVIDED "AS IS". AMBIQ MICRO AND ITS RESPECTIVE SUPPLIERS MAKE NO REPRESENTATIONS ABOUT THE SUITABILITY OF THIS CONTENT FOR ANY PURPOSE AND DISCLAIM ALL WARRANTIES AND CONDITIONS WITH REGARD TO THIS CONTENT, INCLUDING BUT NOT LIMITED TO, ALL IMPLIED WARRANTIES AND CONDITIONS OF MERCHANTABILITY, FITNESS FOR A PARTICULAR PURPOSE, TITLE AND NON-INFRINGEMENT OF ANY THIRD PARTY INTELLECTUAL PROPERTY RIGHT.

AMBIQ MICRO DOES NOT WARRANT OR REPRESENT THAT ANY LICENSE, EITHER EXPRESS OR IMPLIED, IS GRANTED UNDER ANY PATENT RIGHT, COPYRIGHT, MASK WORK RIGHT, OR OTHER INTELLECTUAL PROPERTY RIGHT OF AMBIQ MICRO COVERING OR RELATING TO THIS CONTENT OR ANY COMBINATION, MACHINE, OR PROCESS TO WHICH THIS CONTENT RELATE OR WITH WHICH THIS CONTENT MAY BE USED.

USE OF THE INFORMATION IN THIS DOCUMENT MAY REQUIRE A LICENSE FROM A THIRD PARTY UNDER THE PATENTS OR OTHER INTELLECTUAL PROPERTY OF THAT THIRD PARTY, OR A LICENSE FROM AMBIQ MICRO UNDER THE PATENTS OR OTHER INTELLECTUAL PROPERTY OF AMBIQ MICRO.

INFORMATION IN THIS DOCUMENT IS PROVIDED SOLELY TO ENABLE SYSTEM AND SOFTWARE IMPLEMENTERS TO USE AMBIQ MICRO PRODUCTS. THERE ARE NO EXPRESS OR IMPLIED COPYRIGHT LICENSES GRANTED HEREUNDER TO DESIGN OR FABRICATE ANY INTEGRATED CIRCUITS OR INTEGRATED CIRCUITS BASED ON THE INFORMATION IN THIS DOCUMENT. AMBIQ MICRO RESERVES THE RIGHT TO MAKE CHANGES WITHOUT FURTHER NOTICE TO ANY PRODUCTS HEREIN. AMBIQ MICRO MAKES NO WARRANTY, REPRESENTATION OR GUARANTEE REGARDING THE SUITABILITY OF ITS PRODUCTS FOR ANY PARTICULAR PURPOSE, NOR DOES AMBIQ MICRO ASSUME ANY LIABILITY ARISING OUT OF THE APPLICATION OR USE OF ANY PRODUCT OR CIRCUIT, AND SPECIFICALLY DISCLAIMS ANY AND ALL LIABILITY, INCLUDING WITHOUT LIMITATION CONSEQUENTIAL OR INCIDENTAL DAMAGES. "TYPICAL" PARAMETERS WHICH MAY BE PROVIDED IN AMBIQ MICRO DATA SHEETS AND/OR SPECIFICATIONS CAN AND DO VARY IN DIFFERENT APPLICATIONS AND ACTUAL PERFORMANCE MAY VARY OVER TIME. ALL OPERATING PARAMETERS, INCLUDING "TYPICALS" MUST BE VALIDATED FOR EACH CUSTOMER APPLICATION BY CUSTOMER'S TECHNICAL EXPERTS. AMBIQ MICRO DOES NOT CONVEY ANY LICENSE UNDER NEITHER ITS PATENT RIGHTS NOR THE RIGHTS OF OTHERS. AMBIQ MICRO PRODUCTS ARE NOT DESIGNED, INTENDED, OR AUTHORIZED FOR USE AS COMPONENTS IN SYSTEMS INTENDED FOR SURGICAL IMPLANT INTO THE BODY, OR OTHER APPLICATIONS INTENDED TO SUPPORT OR SUSTAIN LIFE, OR FOR ANY OTHER APPLICATION IN WHICH THE FAILURE OF THE AMBIQ MICRO PRODUCT COULD CREATE A SITUATION WHERE PERSONAL INJURY OR DEATH MAY OCCUR. SHOULD BUYER PURCHASE OR USE AMBIQ MICRO PRODUCTS FOR ANY SUCH UNINTENDED OR UNAUTHORIZED APPLICATION, BUYER SHALL INDEMNIFY AND HOLD AMBIQ MICRO AND ITS OFFICERS, EMPLOYEES, SUBSIDIARIES, AFFILIATES, AND DISTRIBUTORS HARMLESS AGAINST ALL CLAIMS, COSTS, DAMAGES, AND EXPENSES, AND REASONABLE ATTORNEY FEES ARISING OUT OF, DIRECTLY OR INDIRECTLY, ANY CLAIM OF PERSONAL INJURY OR DEATH ASSOCIATED WITH SUCH UNINTENDED OR UNAUTHORIZED USE, EVEN IF SUCH CLAIM ALLEGES THAT AMBIQ MICRO WAS NEGLIGENT REGARDING THE DESIGN OR MANUFACTURE OF THE PART.

Table of Content

1. Introduction	6
2. Document Revision History.....	6
3. Reference Documents and Software	7
4. Quick Start	7
5. Overview of the Apollo4 Blue EVB.....	8
6. Debug Interface	11
7. Software Development Tools.....	13
8. Power Supply Options and Measuring Current.....	14
9. Non-Power Solder Bridges	17
10. Ordering Information	19

List of Figures

Figure 1. Apollo4 Blue EVB Revision 3.....	8
Figure 2. Apollo4 Blue EVB Revision 3 Parts Location.....	8
Figure 3. Apollo4 Blue EVB - Top-side Parts Location	9
Figure 4. Apollo4 Blue EVB - Bottom-side Parts Location	9
Figure 5. Apollo4 Blue EVB Using On-board J-Link Debugger.....	11
Figure 6. Apollo4 Blue EVB's DEBUG IN Header (J13)	12
Figure 7. Apollo4 Blue EVB Power Supplies Solder Bridge Connection	14
Figure 8. Apollo4 Blue EVB USB Power Sequencing Circuit.....	15
Figure 9. Apollo4 Blue EVB VDD18/MIPI Power Sequencing Circuit	15
Figure 10. Apollo4 Blue EVB Voltage Test Points on Header J2.....	16
Figure 11. Apollo4 Blue EVB Voltage Selection on Header J3.....	16
Figure 12. Audio Jack J18 and AUDADC Audio Source Selections	18
Figure 13. Audio Header J17	18

List of Tables

Table 1: Document Revision History.....	6
Table 2: Peripherals Supporting Solder Bridge Connections.....	17
Table 3: EVB Ordering Information.....	19
Table 4: SoC Ordering Information.....	19

1. Introduction

This document provides guidance for setting up the Apollo4 Blue Evaluation Board (EVB), revision 3, part number AMA4BEVB, to get started executing code examples, measuring power consumption in various configurations, and beginning software development.

This version of the EVB contains silicon version B2 of the Apollo4 Blue SoC which supports Bluetooth 5.1 Low Energy⁽¹⁾.

FCC Regulatory Notice

This kit has not been authorized under the rules of the FCC and is designed to (1) allow product developers to evaluate electronic components and circuitry associated with the kit to determine whether to incorporate such items in a finished product, and (2) enable software developers to write software applications for use with the end product.

This kit is not a finished product and may not be resold or otherwise marketed. **Developers using this reference design in their product are responsible for all required FCC equipment authorizations.**

Operation is subject to the condition that this product not cause harmful interference to licensed radio stations and that this product accept harmful interference. Unless the assembled kit is designed to operate under part 15, part 18 or part 95 of 47 CFR Chapter I - FCC, the operator of the kit must operate under the authority of an FCC license holder or must secure an experimental authorization under part 5 of the latter chapter.

2. Document Revision History

Rev #	Date	Description
5.0	May 2022	FCC Regulatory Notice added
5.1	Mar 2023	Updated section "Software Development Tools" on page 13

Table 1: Document Revision History

1. The *Bluetooth*® word mark and logos are registered trademarks owned by the Bluetooth SIG, Inc. and any use of such marks is under license. Other trademarks and trade names are those of their respective owners.

3. Reference Documents and Software

The following items, which can be downloaded from the Apollo4 Blue Product Page link on <https://ambiq.com/>, may be useful in understanding and using the EVB.

- EVB Schematic
- Datasheet
- Programmer's Guide
- Errata List
- AmbiqSuite SDK

4. Quick Start

The EVB Kit comes with the following items:

- Apollo4 Blue Evaluation Board (EVB), revision 3
- USB Type C cable
- Four adhesive-backed rubber feet
- Extra jumpers

Caution: The EVB has components loaded on the back of the board. Care should be taken to not damage these components. The included rubber feet should be applied to the bottom of the board to prevent direct contact between the components and a desk surface.

The EVB comes with jumpers pre-configured for default operation. Also, it has been pre-programmed with the FreeRTOS Fit example program. To start EVB program execution, connect the USB-C cable from a USB port on a PC to the J-Link USB connector (J6) on the EVB, and turn on the power switch (SW4). The blue LED under the power switch should illuminate. To observe program execution, do the following steps:

- Start a Bluetooth explorer application such as LightBlue Explorer on a mobile phone or other device that can serve as a Bluetooth host device.
- If diagnostic message are desired, start a SWO session by bringing up a Segger J-Link SWO Viewer (see Software Development Tools section for link to Segger tools download site). For "device" select "AMA4B2KK-KBR" and set SWO clock to 1000 KHz.
- Reset the board by pressing switch SW3.
- After reset, the Apollo4 Blue will start advertising and Bluetooth traffic will appear in the SWO viewer. One of the messages in the SWO viewer will indicate that this device called "Fit" (EVB) is advertising.
- The device "Fit" will appear in the list of devices in the host application (App). By selecting it, the host will connect to the "Fit" device on the EVB.
- The App and Fit will exchange several commands and responses (events) until the SWO message reports that "Fit got evt 41).

The AmbiqSuite SDK provides many example programs that may be run on the EVB. To run these examples, download the SDK via the link provided above and select any of the pre-built examples in the SDK at `/boards/apollo4b_blue_evb/examples`.

5. Overview of the Apollo4 Blue EVB

The Apollo4 Blue EVB, version 3, features signal-accessible headers and an integrated J-Link debugger:

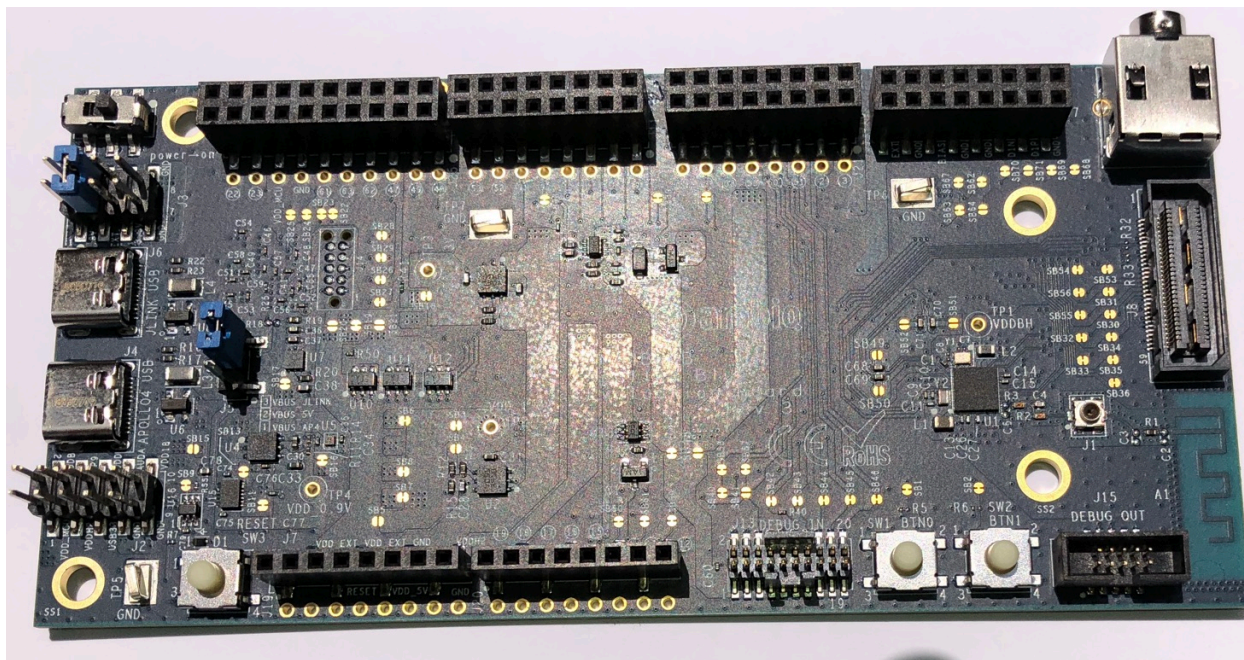


Figure 1. Apollo4 Blue EVB Revision 3

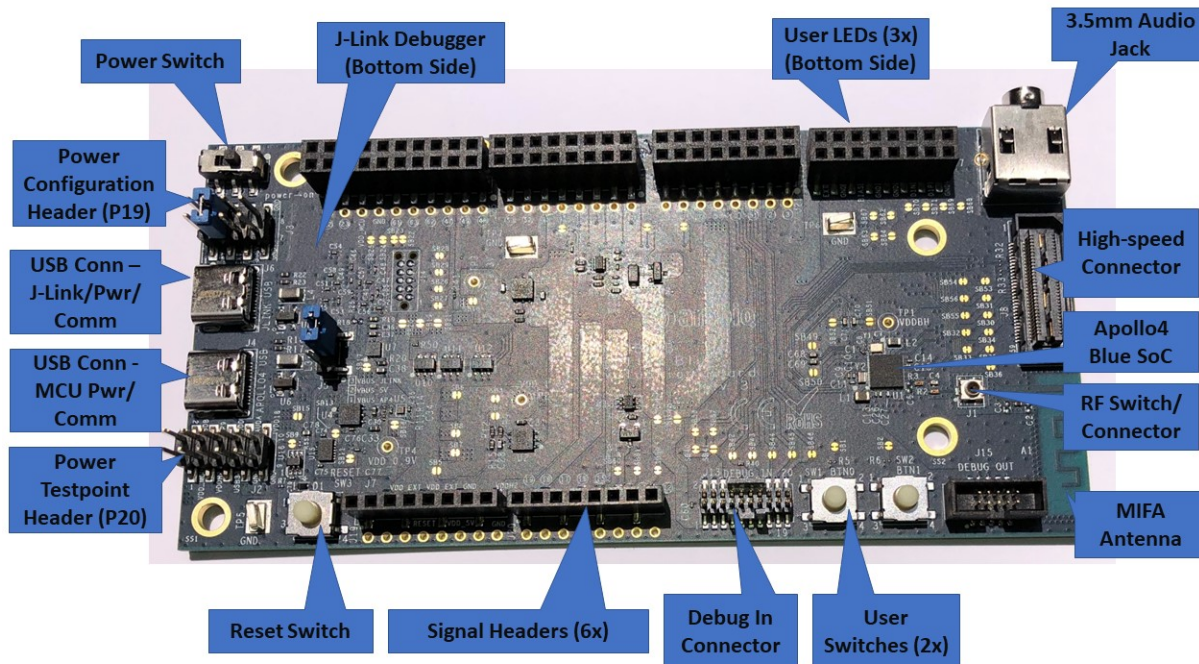


Figure 2. Apollo4 Blue EVB Revision 3 Parts Location

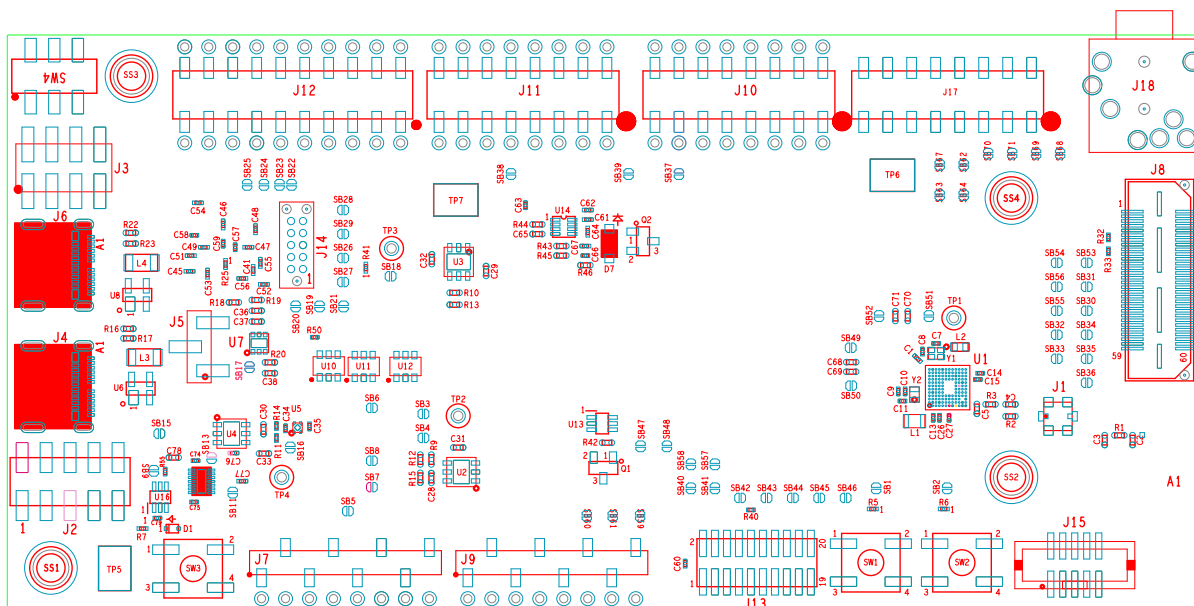


Figure 3. Apollo4 Blue EVB - Top-side Parts Location

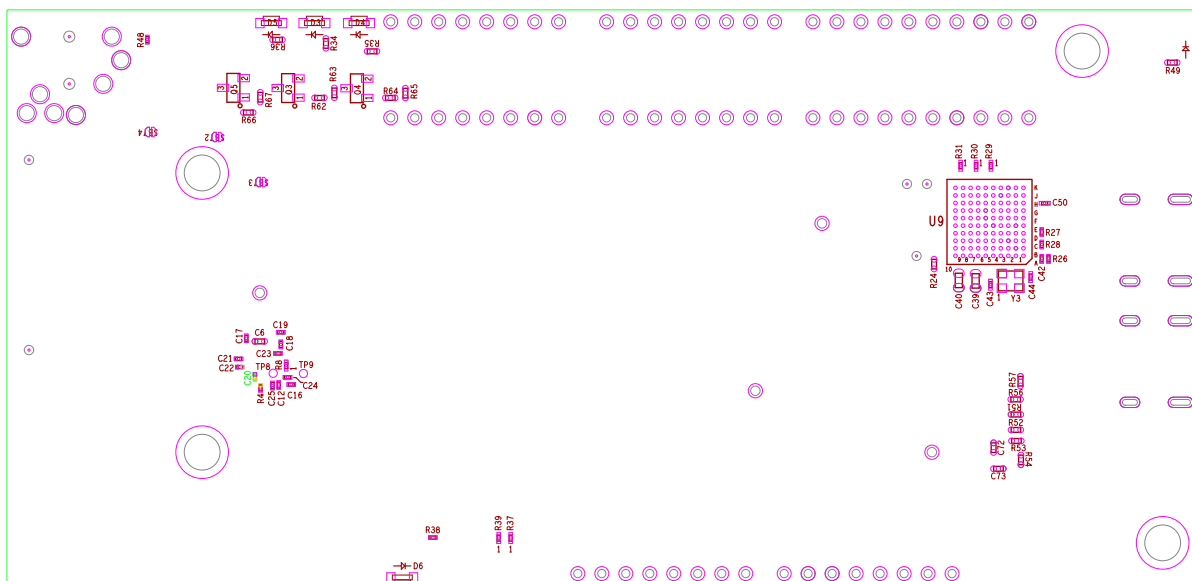


Figure 4. Apollo4 Blue EVB - Bottom-side Parts Location

The EVB has these features:

- Apollo4 Blue SoC in the SiP package (AMA4B2KK-KBR-B2)
- Low power reference design
- Multiple power/clock options
- USB Type C connector for power/download/debug
- USB Type C connector for power/data to Apollo4 Blue

- On-board PCB (MIFA) antenna
- Segger J-Link debugger
- Debugger-in port (J13) (SWD or ETM)
- Three user-controlled LEDs
- Two push buttons for application use, plus a reset push button
- Power slide switch with LED power indicator
- Five headers (J7, J9-J12) for pin/power access to a shield board
- Test points for power measurements
- High-speed connector (J8 - QSH-030-01-L-D-A) for interfacing to displays and/or high-speed memory
- RF switch/connector (Murata MM8430-2610RA1) for BLE PHY testing
- Multiple solder-bridge options for power supply flexibility and peripheral access options
- 3.5 mm audio jack (SJ-435107) for evaluating low-power analog audio interface
- RoHS compliant

Caution: The EVB has components loaded on the back of the board. Care should be taken to not damage these components.

5.1 Secure Boot on the Apollo4 Blue SoC

Apollo4 Blue SoC parts from the Ambiq factory are preprogrammed with a Secure Bootloader and an uninitialized Customer Info Space, referred to as INFO0. Initial provisioning of the part would include programming a valid INFO0 and programming the main firmware image in the flash. The Apollo4 Blue EVB is shipped with the INFO0 configuration pre-programmed with optimal settings for the EVB layout:

1. Default boot to non-secure mode
2. Enable Boot Override to Push Button on GPIO18 (OTP setting) - BTN0/SW1.
3. Enable wired updates over UART0
 - A. UART0 is mapped to J-Link (OTP Setting).
 - B. Baud rate is 115200 bps, no-parity, 8-bit data length, no flow control.
 - C. Timeout is 3 seconds.

For reference, the following settings are programmed into INFO0 on the Apollo4 Blue SoC resident on the EVB:

- SIMO Buck is NOT enabled.
- Secure Bootloader (SBL) interface is configured to UART using GPIO47 and GPIO60, which allows secure boot to be performed over the J-Link COM interface of the EVB.
- SBL override pin is configured to GPIO18 which is BTN0/SW1 on the EVB.
- All Flash and Debugger protection features are disabled.

For information on changing the INFO0 settings as well as using the Secure Bootloader, please refer to the *README.txt* file, which can be found in the `tools\apollo4b_scripts` folder of the latest SDK release supporting the Apollo4 family. This folder contains a number of python scripts to demonstrate generation of INFO0 settings, customer main images, and the creation of images for the Wired Update protocol over UART.

6. Debug Interface

Figure 5 shows the Apollo4 Blue EVB set up for standard debug using the on-board J-Link debugger and on-board power supply. The on-board J-Link debugger is on the other side of the board and not shown in the figure.

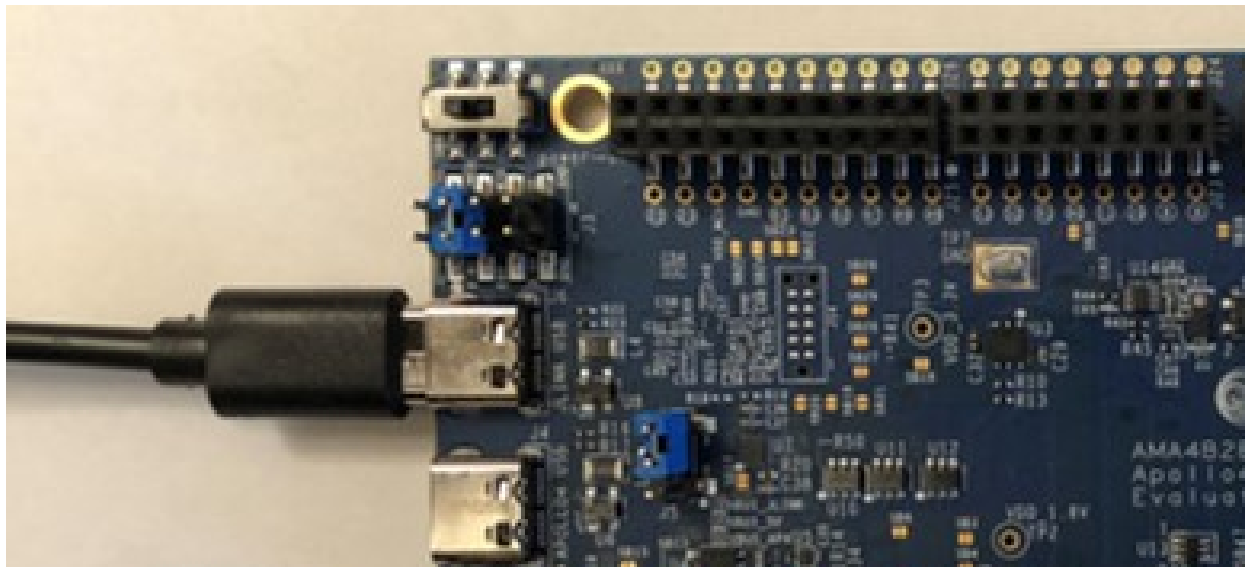


Figure 5. Apollo4 Blue EVB Using On-board J-Link Debugger

The debug interface is supported by standard J-Link drivers from Segger. Please refer to “Software Development Tools” on page 13 for more details on J-Link debug support.

6.1 Use of External Debugger

This EVB also supports the use of an external Cortex SWD debug interface through a 20-pin debug header (DEBUG IN - J13) as shown in Figure 6. See the EVB schematic for connector pinout.

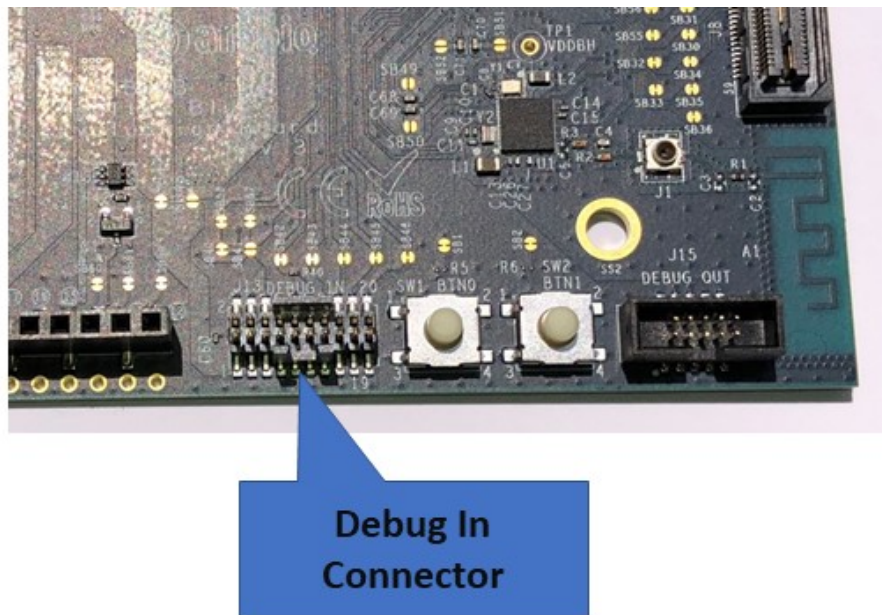


Figure 6. Apollo4 Blue EVB's DEBUG IN Header (J13)

No jumper changes are required to use an external debug adapter. Simply connect the external debug adapter with a ribbon cable connector to the "DEBUG IN" header.

7. Software Development Tools

The standard Segger J-Link debug interface is used on the Apollo4 Blue EVB. Please install the latest Segger J-Link software, and configure your preferred development IDE (Keil, IAR, or Eclipse) to use the J-Link debug interface. Please consult the release notes of the latest/applicable SDK release for the version of the tools used during testing of the SDK and which are recommended for development with the SDK.

Links to the supported development tools are listed below.

- SEGGER J-Link Software: <https://www.segger.com/downloads/jlink>
- KEIL uVision 5 (ARM Compiler 5): <https://www.keil.com/demo/eval/arm.htm>
- Latest Keil Pack (CMSIS Ambiq Pack): <http://www.keil.com/dd2/pack/#/third-party-download-dialog>
- IAR IDE/Compiler: <https://www.iar.com/iar-embedded-workbench/tools-for-arm/arm-cortex-m-edition/>
- GCC (GNU Arm Embedded Toolchain): <https://gcc.gnu.org>

Regardless of IDE used, please install the Segger J-Link software. All of the above development environments support J-Link, but you must have the latest J-Link software installed. Most alternate development environments also support J-Link.

Please refer to the AmbiqSuite SDK Getting Started Guide for more details on setting up development IDEs to use J-Link.

8. Power Supply Options and Measuring Current

The Apollo4 Blue EVB is intended to operate off of a 5 V supply, which is used to generate downstream voltages.

There are two power supply options for the EVB SoC:

- Operate at 1.9 V by default as provided by the on-board power supply (referred to as nominal “VDD_1.8V”). This can be adjusted to 1.8 V by shorting SB4 shown on the Power Supplies page of the EVB schematic⁽¹⁾.
- Provide externally supplied power.

The EVB utilizes solder-bridges for connecting and disconnecting rails from power supplies, whether generated on-board or off-board. Figure 7 shows the solder-bridge connection strategy between various on-board power supplies and the SoC's power rails.

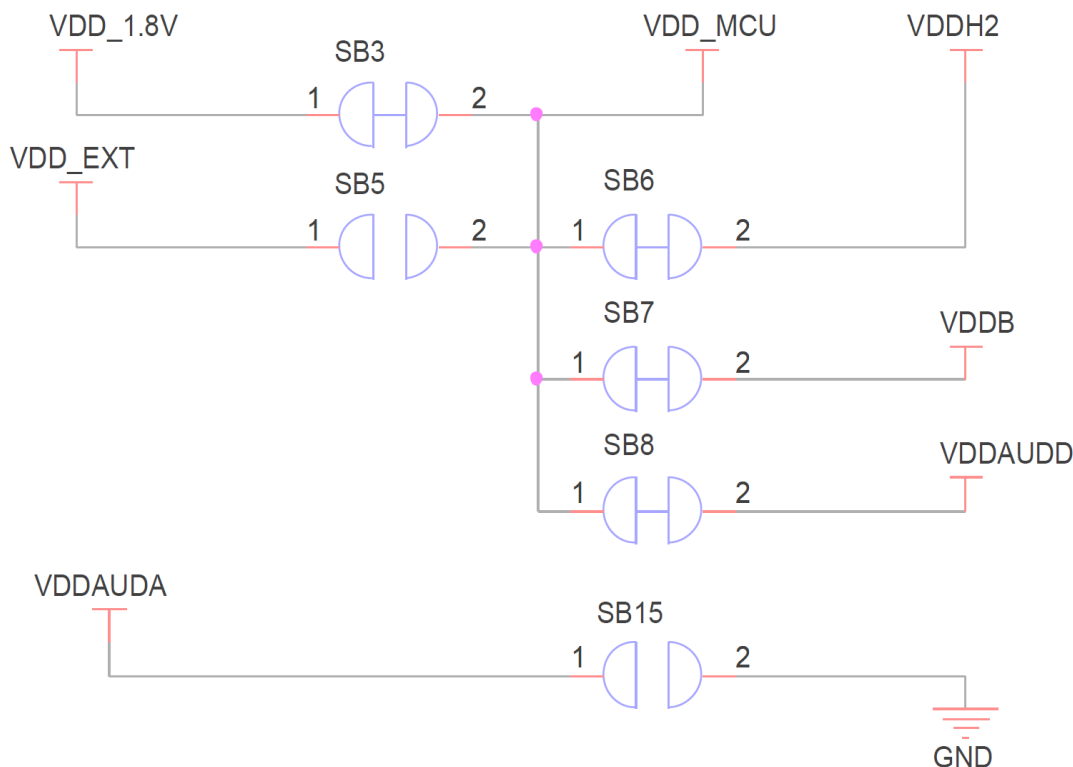


Figure 7. Apollo4 Blue EVB Power Supplies Solder Bridge Connection

Figure 8 shows the USB power sequencing circuit producing the voltage supplied to VDDUSB33 and VDDUSB0_9 through solder-bridges SB13 and SB11, respectively. These solder bridges are shorted by default.

1. Refer to the EVB schematic and assembly drawing for purpose and location of all solder bridges on the EVB.

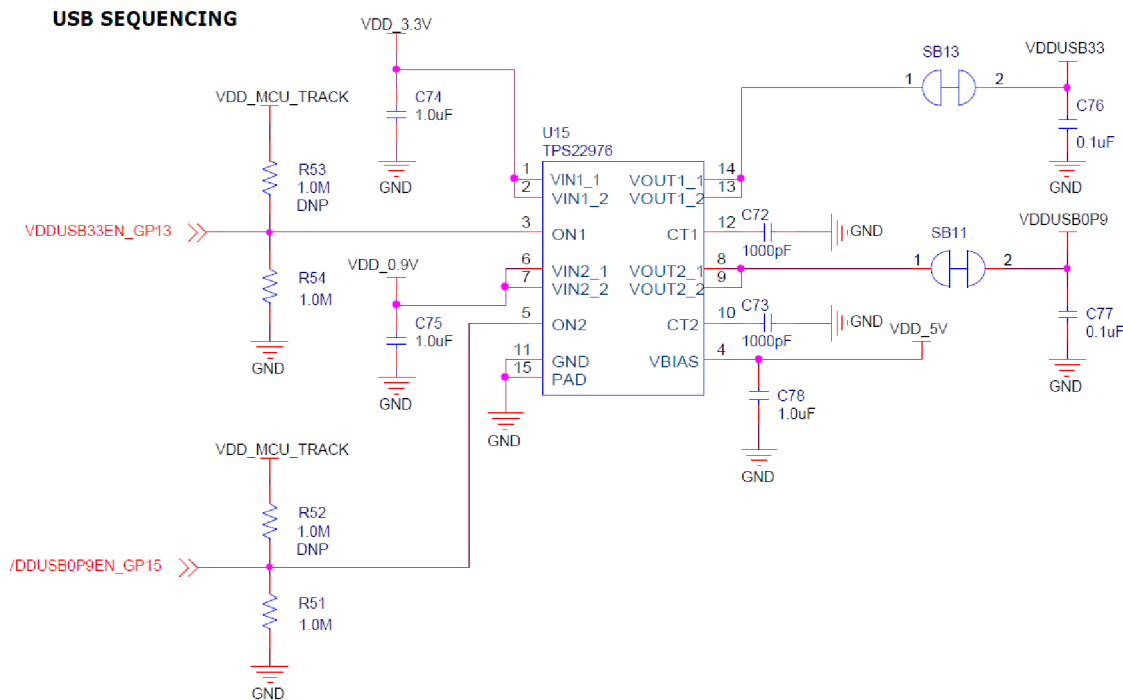


Figure 8. Apollo4 Blue EVB USB Power Sequencing Circuit

Similarly, Figure 9 shows the power sequencing circuit producing the voltage supplied to the MIPI VDD18 supply through solder-bridge SB9. This solder bridge is also shorted by default.

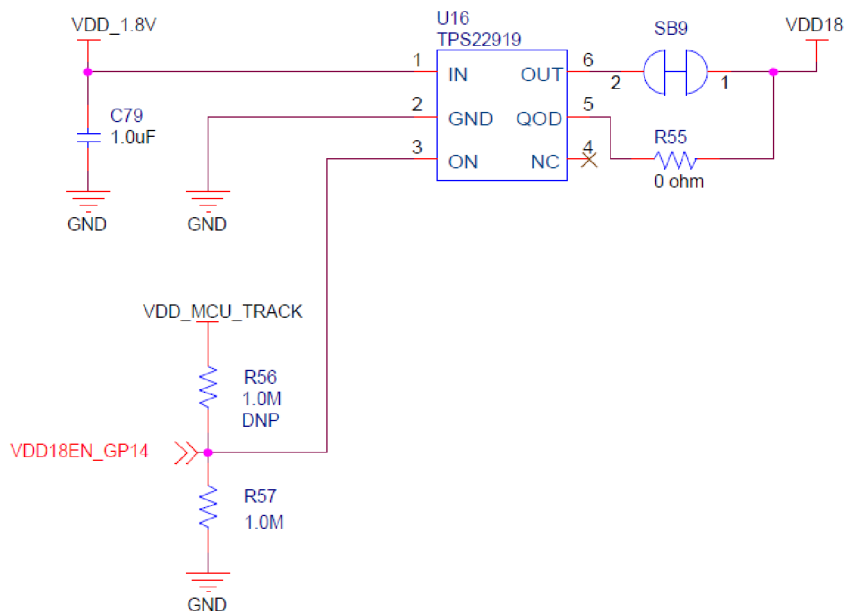


Figure 9. Apollo4 Blue EVB VDD18/MIPI Power Sequencing Circuit

As shown in Figure 10 and Figure 11, headers J2 and J3 provide easy access to the various system and chip-level power supplies present on the EVB. These can be used in conjunction with the above solder-bridges to measure current, monitor voltage, or provide externally generated power to each specific rail.

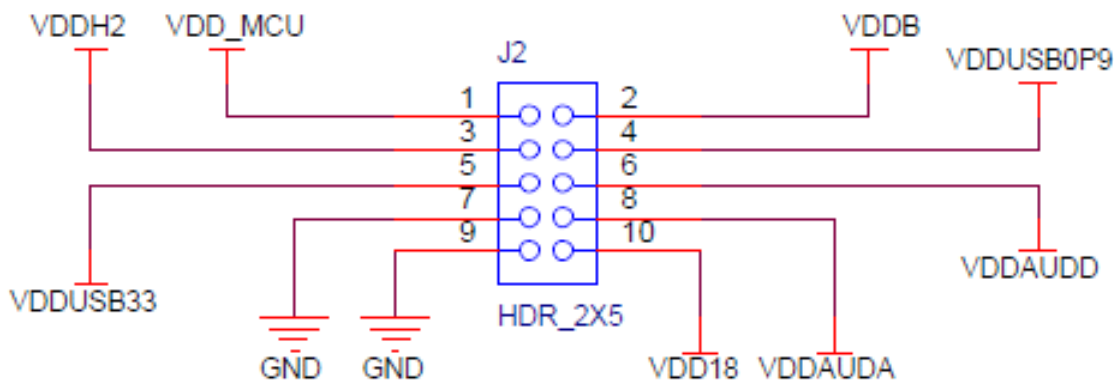


Figure 10. Apollo4 Blue EVB Voltage Test Points on Header J2

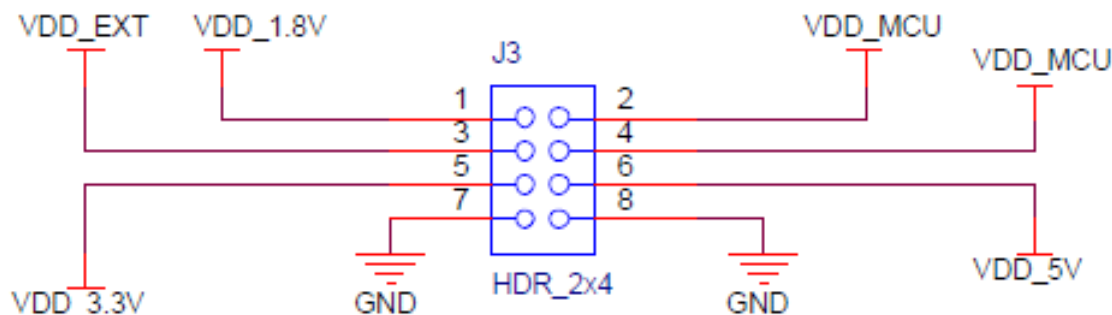


Figure 11. Apollo4 Blue EVB Voltage Selection on Header J3

8.1 Measuring Current

If the user wants to use a separate power supply for the EVB, then SB3 shown in Figure 7 should be cut, and either SB5 should be shorted or pins 3 and 4 of J3 should be jumped. The external power rail can be applied to VDD_EXT on J3, pin 3. Consult the electrical specifications in the Apollo4 Blue Datasheet for the acceptable operating range for VDD_MCU.

Note: The J-Link I/O voltage should be set to the new VDD_IO of the chip, and therefore SB19 (not shown in Figure 7) should be opened and SB20 should be shorted (soldered).

Use of the EVB using the on-board SoC supply may be restored by disconnecting the external supply (if connected) and either shorting SB3 once again or jumping between pins 1 and 2 of J3. The J-Link I/O voltage also should be restored.

As another example, if it is desired to measure the BLE current provided by the VDD_1.8V source for the Apollo4 Blue package, SB7 may be cut, and a current probe may be applied between VDD_MCU on J2, Pin 1 and VDDB on J2, Pin 2. After measuring current, SB7 may be shorted or a jumper may be placed across J2, pins 1 and 2.

9. Non-Power Solder Bridges

9.1 Solder Bridges for Reducing Trace Length to Optimize Performance

The following peripherals support solder-bridge connections, which allow for optimized performance by reducing overall trace length at the cost of losing connectivity to their respective GPIO headers. Note that these connections can be reset by applying solder across the solder-bridge.

Peripheral	GPIO	Description
Display Controller, MSPI0	37, 64-73	Opening the following corresponding solder-bridges shown in Figure 3 connects these GPIO exclusively to J8, with minimal trace stubs: SB36, SB56, SB55, SB30 - SB35, SB53, SB54.
ETM	50-54, 55 (open by default)	Opening the following corresponding solder-bridges shown in Figure 3 connect these GPIO exclusively to J13: SB42 - SB46, SB57. SWO is default connection to J13 (shared with , SWTRCTL)

Table 2: Peripherals Supporting Solder Bridge Connections

Additionally, the LED indicators can be disconnected from GPIO30, GPIO60 and GPIO90 by opening their respective solder-bridges (SB37, SB38, and SB39). GPIO47, GPIO58, GPIO59 and GPIO60 are used for UART communication with the on-board J-Link. Opening SB26-SB29 frees these pins for exclusive use with the standard GPIO headers J10 and J12.

9.2 Solder Bridges for Audio Selectivity

As shown in Figure 12, a single audio jack, J18, provides stereo audio input routed to AUDADC (also referred to as LPADC) inputs on the SoC. Alternatively, up to 4 single-ended or 2 differential pair audio signals as shown in Figure can be input on connector J17 which is routed on the EVB as differential pair(s) to AUDADC inputs. The default (shorted) solder bridge configuration enables either of these input options.

LPADC 3.5MM Jack

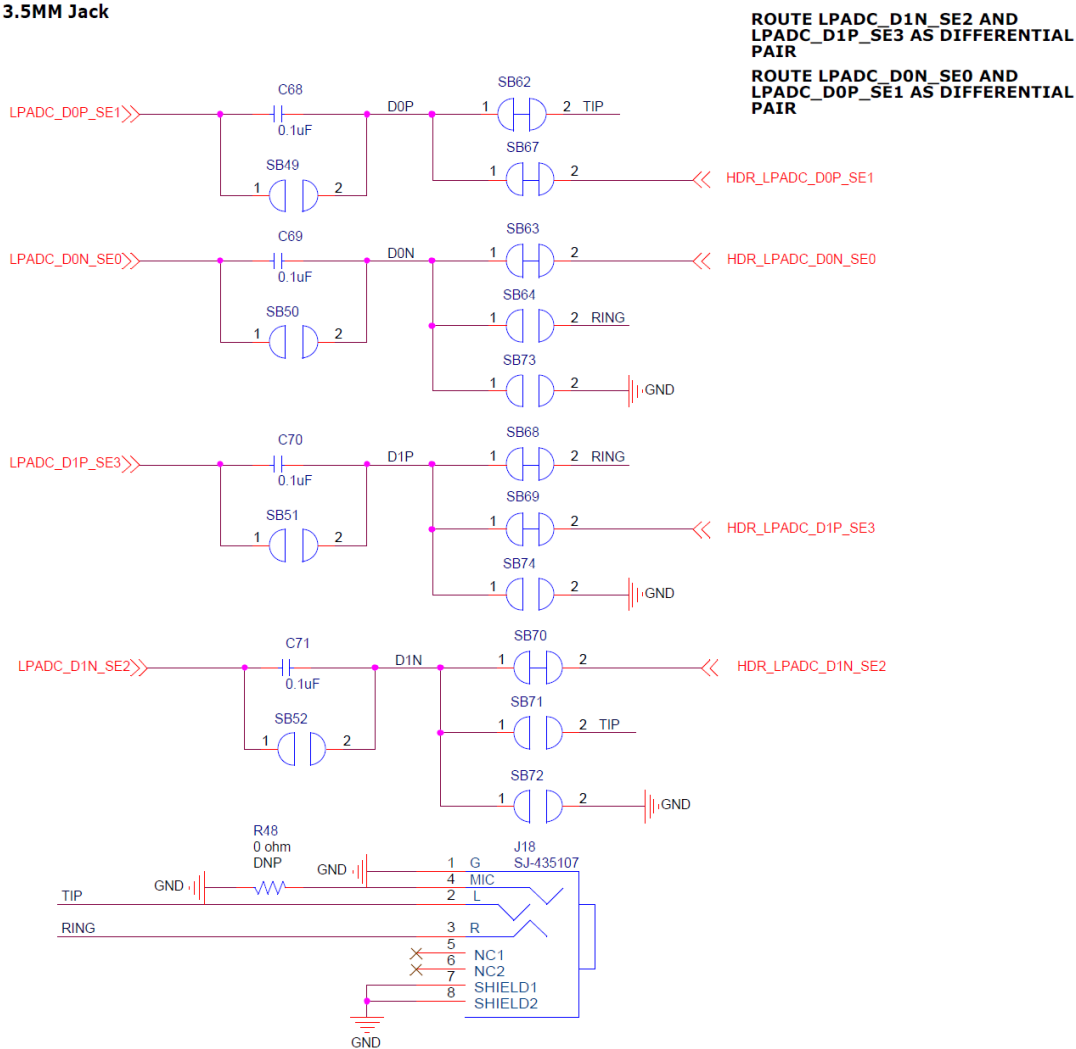


Figure 12. Audio Jack J18 and AUDADC Audio Source Selections

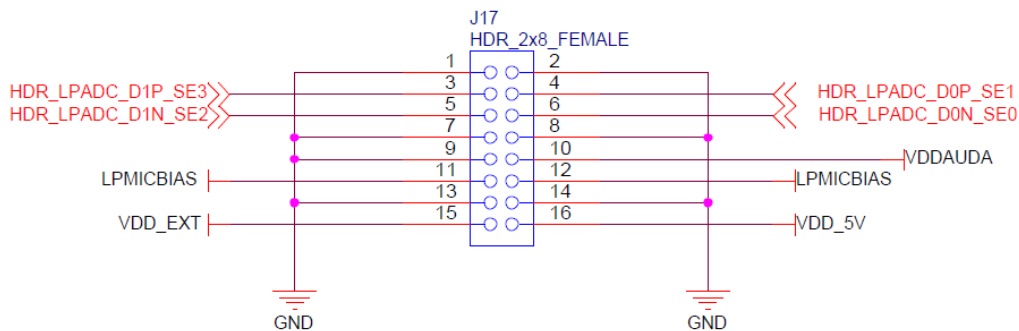


Figure 13. Audio Header J17

10. Ordering Information

Table 3: EVB Ordering Information

Device Name	Orderable Part Number	SoC	SoC Package	Temperature Range
Apollo4 Blue EVB	AMA4BEVB	Apollo4 Blue	131-pin SiP BGA	-20 to 60°C

Table 4: SoC Ordering Information

Device Name	Orderable Part Number ^a	MRAM	RAM	Package	Packing	Temperature Range
Apollo4 Blue SoC	AMA4B2KK-KBR-B2	2 MB	1.8 MB	131-pin SiP BGA	Tape and Reel	-20 to 60°C

a. The silicon revision is identified by the first letter in the bottom row of the package's top marking.



©2023 Ambiq Micro, Inc. All rights reserved.

Ambiq Micro, Inc.

6500 River Place Boulevard, Building 7,

Suite 200, Austin, TX 78730-1156

www.ambiq.com/

sales@ambiqmicro.com

<https://support.ambiqmicro.com>

+1 (512) 879-2850

QS-A4B-5p1

Version 5.1

March 2023